

COLORING & COLLAGE
ACTIVITY - SAMPLE





OBJECTIVE

- The lesson plan below is an extension to the [Visions and Values Honor Memory](#) classroom materials.
- To explore the value of honoring memory through story-telling and the preservation of culture through artifacts and documentation.

What do you carry with you? Coloring and collage activity.

- Participants will build critical thinking skills and consider the themes listed below.
- Participants will color the activity sheets and create a collage using the colored pieces. Participants can add family photos, photos of places, and add words to represent one's values and ideas.

THEMES

- Empathy.
- Cultural and personal identity.
- Ancestry and family legacy.
- Cultural and personal history.
- Documentation through photos, artifacts, and oral histories.
- Personal and collective memory.
- Naming emotions that define what else you carry with you in addition to physical items.
- Art themes - positive and negative space, color relationships, surrealism, symbols, and collaborative art-making.

MATERIALS

- Printed coloring and collage activity sheets.
- Markers, colored pencils, crayons, or watercolor paints.
- Sheet of paper or posterboard to glue your activity together.
- Scissors.
- Glue.
- Reva's story ([audio file](#))
- Notepaper and pen or pencil to write down thoughts.

CLASS ACTIVITY

- Listen to Reva's story about her journey away from home and think about the question "What do I carry with me?" if you were to have to leave home or create a time capsule for future generations to honor your memory.
- Engage the class in a discussion about cultural and personal values, history, and the importance of story-telling, photos, and artifacts.
- Discussion: What items would you choose to include in your travel suitcase?
- Discussion: What else would you take if you had a magic suitcase that could fit anything that reminds you of home.
- Discussion: The symbolism and importance of some of the elements included in the activity.
- Discussion: Why is it important to care for items like family photos, family heirlooms, historical documents?
- Discussion: What do the words family and home mean to you? Not everyone knows their history or heritage, so if you do not know your history, what would you imagine is your history or heritage?
- Discussion: What can these items teach us about the past, the present, and different cultures?
- Discussion: Encourage participants to share stories about their families, homes, or the items they chose for their suitcases.

STUDENT INSTRUCTIONS

- Listen to Reva's true story about her family's journey from Eastern Europe to the United States in the 1920s. Learn about this period in history, then think about what you carry with you if you had to leave home.

Ask yourself: "What do I carry with me?"
In addition to items that may have sentimental and cultural value,
what are some intangible things you carry with you,
such as memories, traditions, cultural pride, feelings of
determination, courage, and more.

- Add words about what you would carry with you to the items in the activity by writing them in the blank spaces.
- Add photos of yourself, your family, or your home to the activity by collaging them within the photo frames or books.
- Color and collage the activity to tell your story.

SHARING AND ASSESSMENT

- Participants will share their collages with the group.
- Participants will respond to the group's collages and share anything they have learned that they had not considered before creating the activity.

RESOURCES

- Listen to the [story of Reva Nebrat](#). Reva was a Russian immigrant who came to the United States in the 1920s.
- Explore Ellis Island and its history with the interactive resource "[Immigration Stories of Yesterday and Today](#)" by Scholastic.
- Learn more about immigration to the United States at the turn of the twentieth century by reading the article "[Immigration to the United States, 1851-1900](#)" from the Library of Congress.
- Connect the past to present through objects and family stories in "[Your Story, Our Story](#)" created by the Tenement Museum in New York.
- For more stories of immigration, resiliency, and honoring memory, visit the [Shoah Foundation](#).

VOCABULARY

Note: Below are some terms you may encounter in this lesson or may find useful.

- **Artifact** - An object made by a human being, typically an item of cultural or historical interest.
- **Culture** - The beliefs, customs, values, arts, language systems, etc., of a particular society, group, place, or time.
- **Cultural affirmation** - Affirms, empowers, and develops positive concepts of self through cultural experiences, traditions, and heritage.
- **Cultural memory** - A form of collective memory shared by a group of people. Cultural memory is often stored in objects, such as museums or historical monuments.
- **Empathy** - The ability to understand and share the feelings of another.
- **Heirloom** - A valued family possession handed down from generation to generation.
- **Heritage** - Something handed down from one's ancestors; or a characteristic, culture, or tradition from the past.
- **Identity** - Condition or character as to who a person or what a thing is; the qualities, beliefs, etc., that distinguish or identify a person or thing.
- **Immigrants** - People who leave their country of origin to live permanently in another country.
- **Immigration** - A process of leaving one place for the purpose of permanently settling in a different place.
- **Legacy** - Something transmitted by or received from an ancestor or predecessor or from the past.
- **Positive and negative space** - Positive space refers to the subject or areas of interest in an artwork, such as a person's face or figure in a portrait, the objects in a still life painting, or the trees in a landscape painting. Negative space is the background or the area that surrounds the subject of the work.
- **Refugee** - A person who has been forced to leave their country in order to escape war, persecution, or natural disaster.
- **Surrealism** - An art movement or style that remixes the human experience by combining reality with imaginary elements. It balances a rational vision of life with one that asserts the power of the unconscious and dreams.
- **Symbols** - A mark or character used as a conventional representation of an object, function, or process.

SYMBOLS AND ELEMENTS



Candlesticks

Candlesticks are symbolic of light and celebrating holidays and religious traditions with family. Some women would trade single candlesticks with one another before they left their homeland to preserve memories of friends and families: one taken to the new place and one left behind.



Coffee Grinder

Serving tea or coffee is a tradition practiced to welcome guests and neighbors into one's home. Coffee grinders were also used to make sweet rice pudding - a common snack for children. Cookware and housewares can remind one of the smells, tastes, and traditions of home.



Typewriter

In 1938 Marion Stiebel Siciliano's family fled Nazi Germany and moved to Italy. Marion's mother brought a typewriter so that she could find work as a typist when they arrived in their new country. The Stiebels traveled from Germany to Portugal to France, and then eventually to the United States. Marion kept her items with her so she would always remember the journey from Germany to America. Tools of trade can help one find work to make a living in one's new home.



Textiles, Embroidery, Huipil

Huipil pronounced: "wē'pēl" or "wee-peel"

Textiles, traditional clothing, and embroidery play a significant role across cultures and throughout time. Huipiles are worn by indigenous people to represent their ethnic identity. The designs include symbols representing the history, cultural identity, and personal information about the wearer.



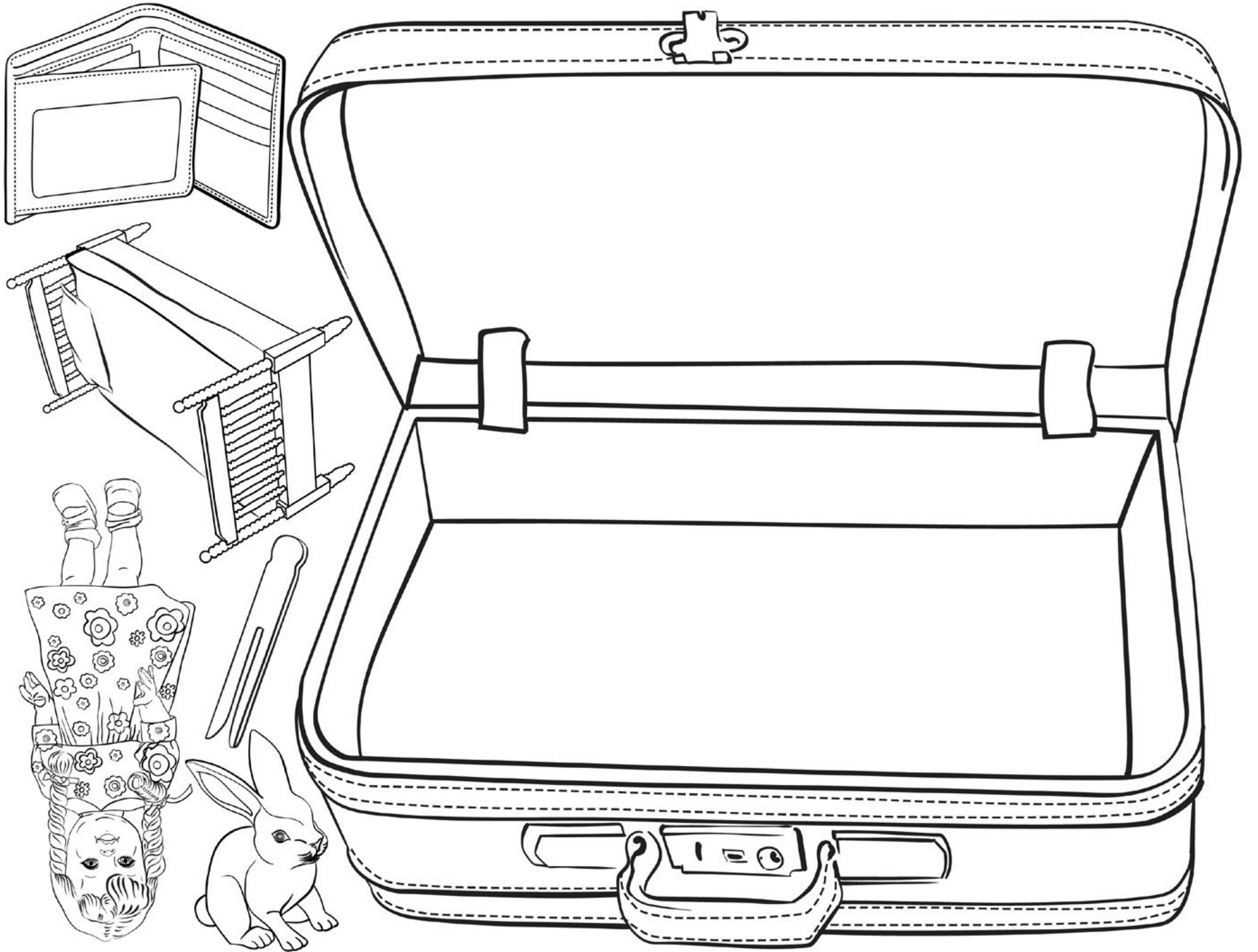
Seedpot

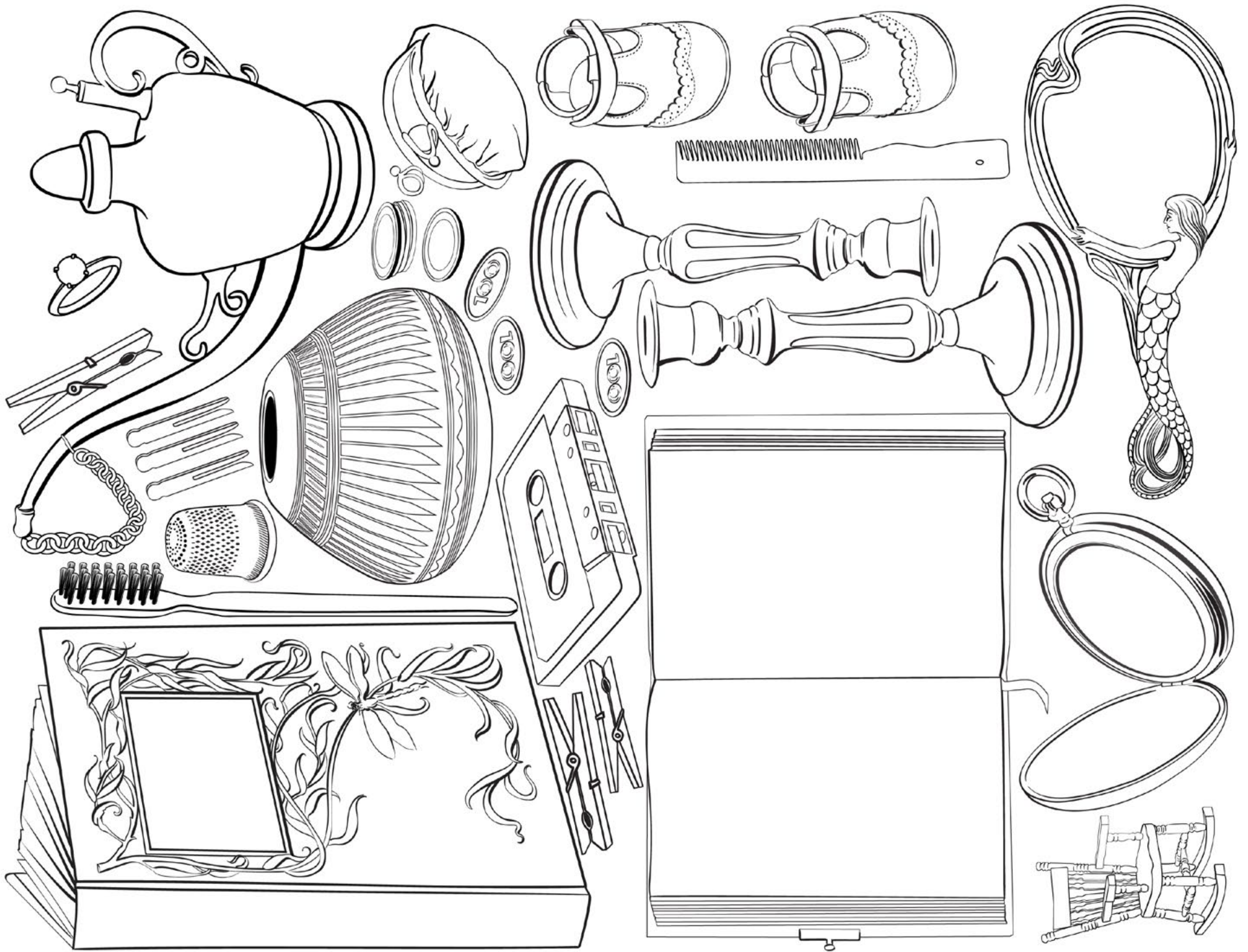
Native Americans made hand-made clay pots with designs that referenced mountains, rivers, and landscapes. These pots were used to store seeds over the winter, to plant the following year. They also contained the hopes and prayers for prosperity for the year.

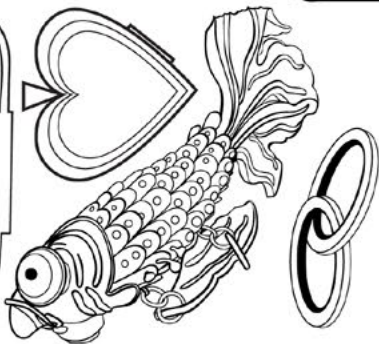
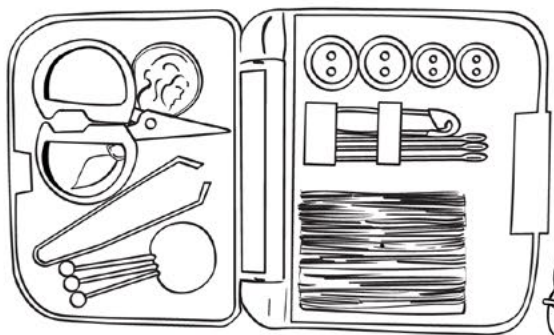
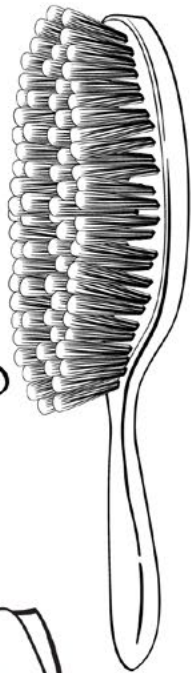
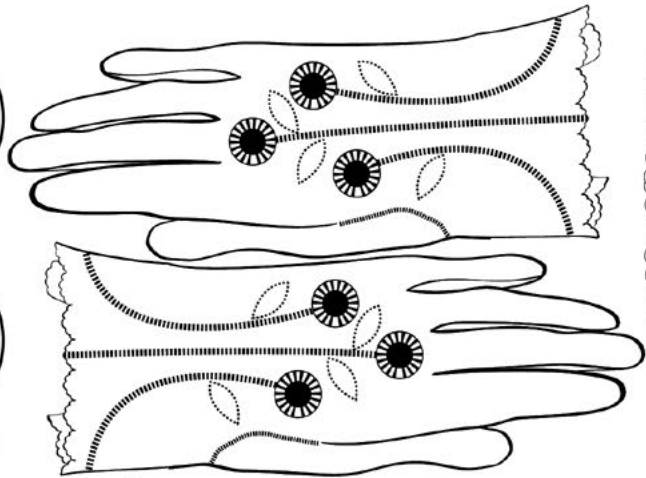
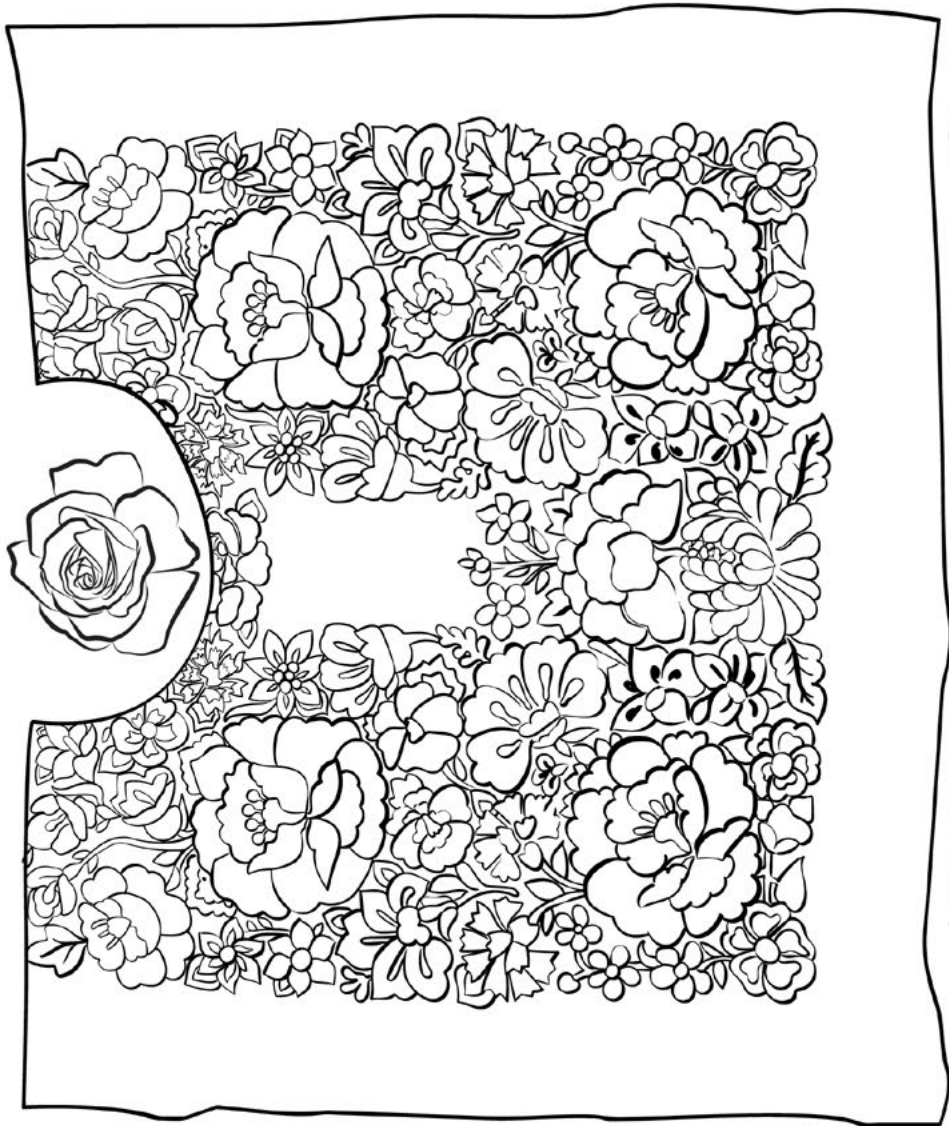


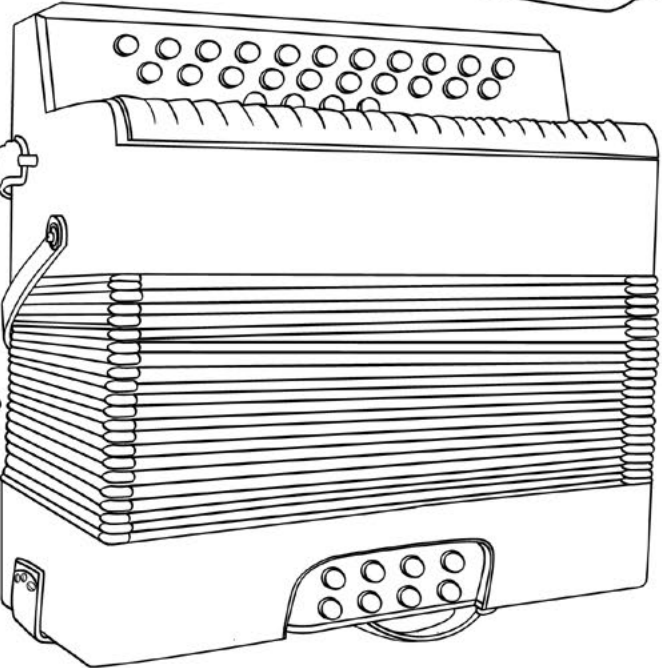
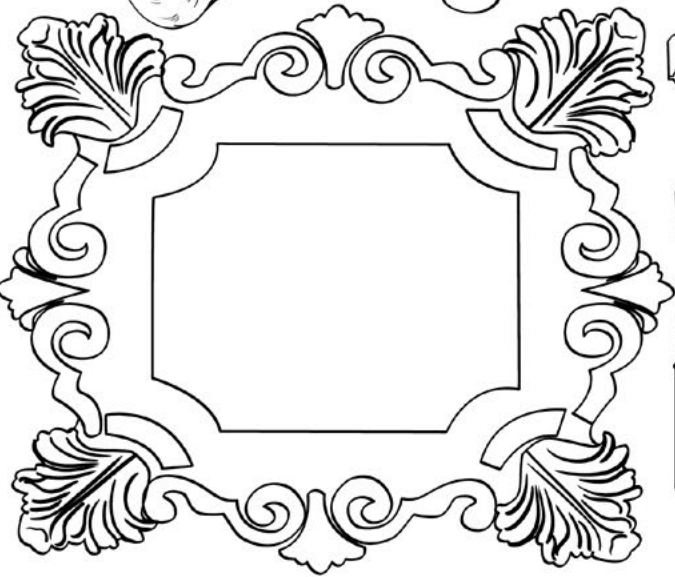
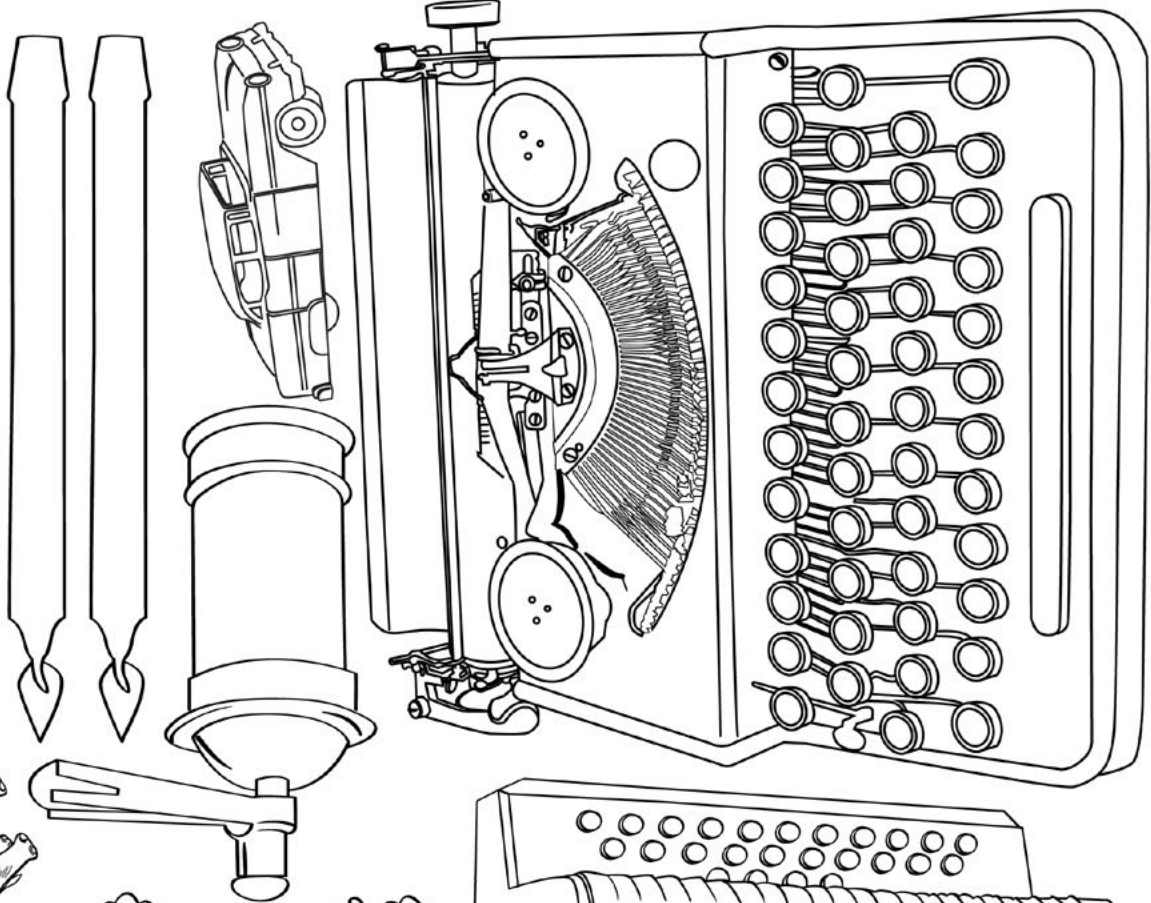
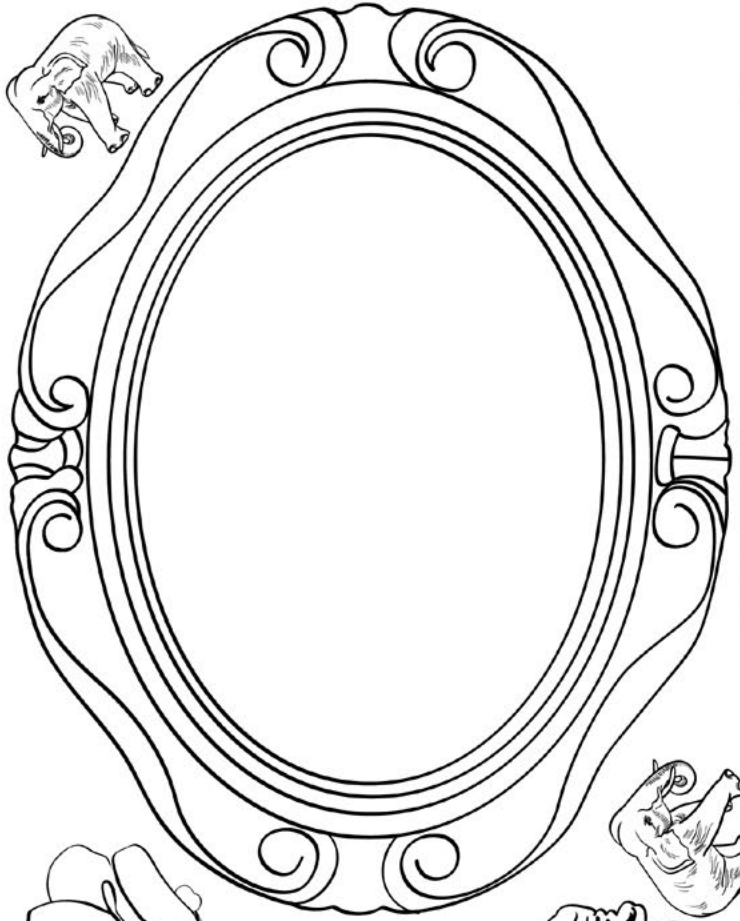
Mixtape and Music

Music and recordings of oral histories can remind us of home, specific memories, times, and places. Music is critical in defining who we are, and how we determine our identities. It is often a tool to communicate emotions, beliefs, and abstractions that may not have been available otherwise. Music is valued and represented throughout cultures around the world.

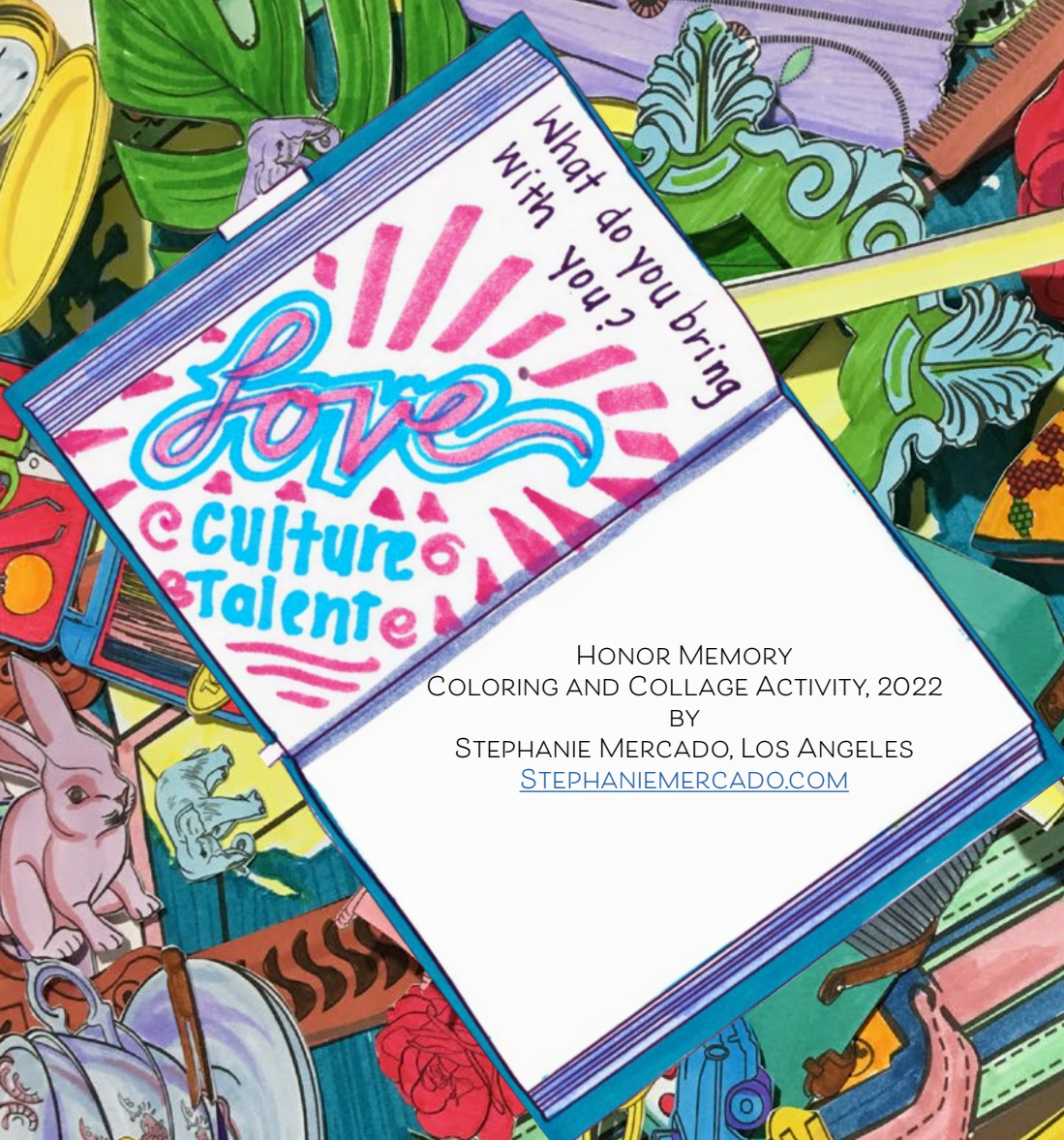












What do you bring
with you?
Love
Culture
Talent

HONOR MEMORY
COLORING AND COLLAGE ACTIVITY, 2022
BY
STEPHANIE MERCADO, LOS ANGELES
STEPHANIMERCADO.COM